

ZKT_{ECO}

MA300

Fingerprint & RFID Access Control Terminal
Metallic casing & IP65 waterproof



Fingerprint



RFID



IP65



TCP/IP

Compatible with

ZKBio Access IVS



MA300 is an integrated access control terminal with metallic casing (zinc alloy) and enhanced features.

This access control terminal offers dual authentication methods, including fingerprint and RFID verification. By adopting the advanced ZK fingerprint algorithm, MA 300 offers a reliable and fast fingerprint recognition.

The metallic casing of MA300 with IP65 rating which protect it from vandalism, and waterproof and dust resistance, making the terminal a suitable choice for both indoor and outdoor environments.

Most importantly, MA300 is compatible with ZKBio Access IVS, which provides a comprehensive access control and security management. Additionally, MA300 offers a flexible communication interface such as TCP/IP, RS485 and Weigand for seamless connection.

Features



Rugged Structure and Extra Durability

- IP65 rated waterproof and dustproof structure



Metallic Casing

- Vandal-proof for outdoor installation



Fast and Accurate Fingerprint Algorithm

- 1 touch a-second user recognition
- Store 1,500 templates, 10,000 cards and 100,000 transactions



Easy Installation and Connectivity

- Wiegand input & output
- Network interface by TCP/IP



Easy operation and Management

- OLED, buzzer, optional integrated smart card reader and external
- Fingerprint and RF card reader for multi-model authentication



Full Access Control Features

- Webserver
- Anti-passback
- Access control interface for 3rd party electric lock, door sensor, exit button, alarm and doorbell



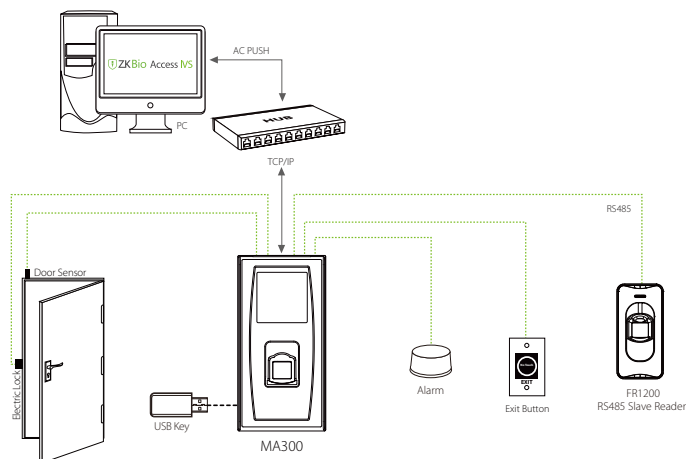
New Firmware

- Adopts new which optimizes various functions and supports user privilege setting for multi-level management
- Standard AC Push

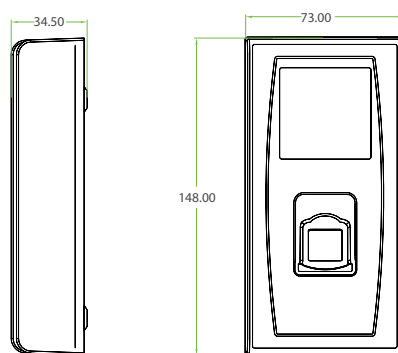
Specifications

Model	MA300
User & Card Capacity	10,000
Fingerprint Capacity	1,500
Transaction Capacity	100,000
Hardware	1GHz Single core, LPDDR 64M, Flash 128M
Algorithm Version	ZKFinger V 10.0
Fingerprint Verification Accuracy	FAR≤0.0001% FRR≤0.01%
Fingerprint Verification	1:N
Fingerprint Recognition Time	<0.2 second
Supported Card Type	ID card (125kHz); IC card (13.56MHz)
Card Reading Distance	30~50 mm
Communication	TCP/IP, RS485, Wiegand in/out
Input Interfaces	1 Door sensor, 1 Third-party electric lock, 1 Exit button, 1 Alarm
Output Interfaces	1 Lock Relay, 1 Doorbell
Standard Functions	Web server, Time Zone, Group, Multi-identification Duress mode, Anti-passback
Protocol	A & C Push
Power Supply	DC 12V 3A
Operating Temperature	-10°C to 55°C (14°F to 131°F)
Storage Temperature	-20°C to 60°C (-4°F to 140°F)
Operating Humidity	10% to 90% RH
Dimensions (L*W*D)	73×148×34.5mm
Protection Rating	IP65
Supported Software	ZKBioAccess IVS
Installation	Wall-mounted
Certification	CE, FCC, ISO9001, ISO14001

Configuration



Dimensions (mm)



V1.0 04/03/2023